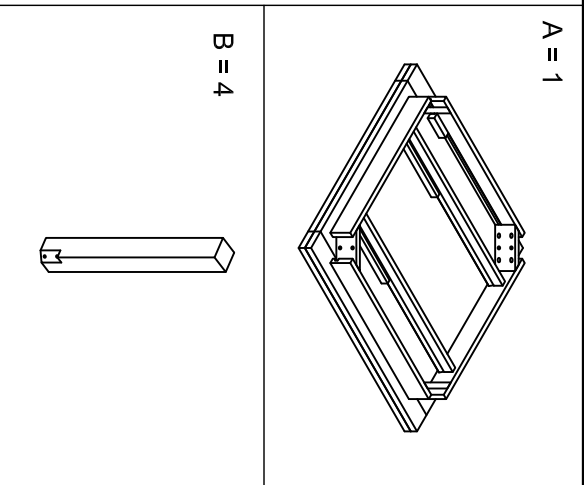
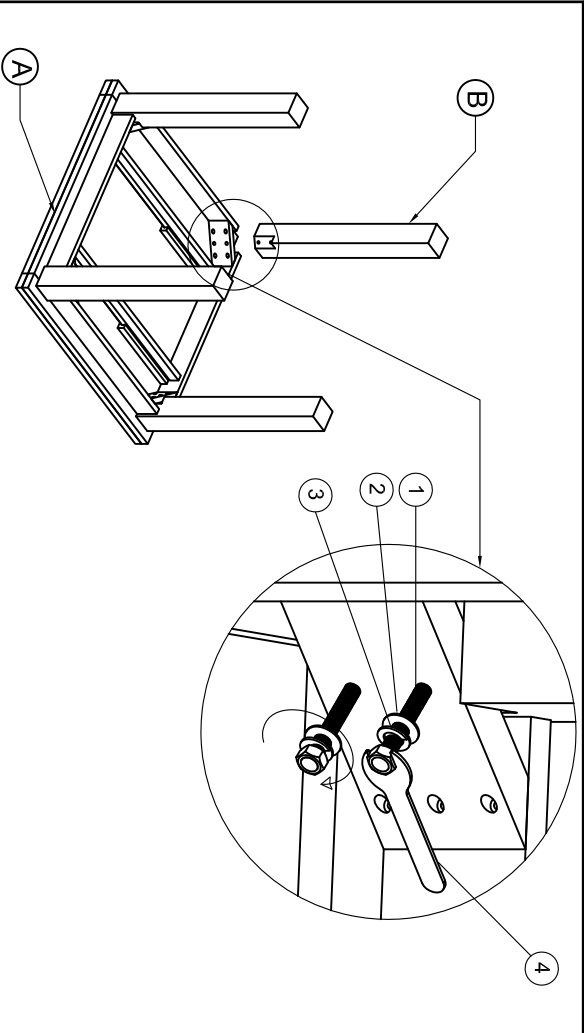


ASSEMBLY INSTRUCTIONS SQUARE EXT. TABLE



No	LIST OF HARDWARE	FIG	Q.TY(PCS)
①	Bolt M10 x 70		8
②	Washer Ø11/Ø20 x 2		8
③	Spring washer M10		8
④	WRENCH		1

